

Model 1415

DESCRIPTION

Safety and relief valve, angle type, conventional
 According ASME VIII
 Direct spring loaded
 Full lift safety valve
 A 216 WCB, Stainless steel A351 CF3M
 A217 WC6, LCC, SUPERDUPLEX (on request)
 Steam, gases, cryogenic fluids, H₂, vapours and liquids
 Cleaned and degreased for oxigen service
 Flanged ASME/ANSI B16.5 ANSI150 / 300 / 600 / 900 / 1500 / 2500
 Seat metal- metal, hardness seat, Viton and PTFE
 Set pressure range 0,2 (with bellows 2 barg) to 425 barg
 Tolerance Set pressure $\pm 3\%$
 Overpressure 10%
 European Pressure Equipment Directive PED 2014/68/EU
 CE 0056 Module B
 CE Production Quality Assurance (Module D) ES037955- 1035
 Material test certificate EN 10204 3.1

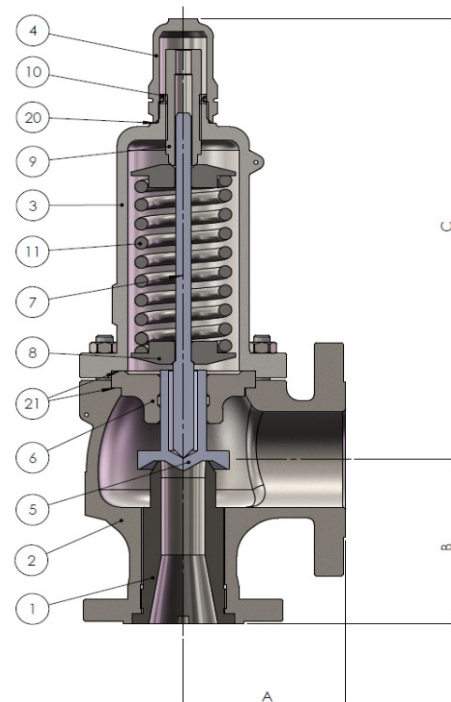
TOSACA, MADE IN SPAIN



MATERIALS

Item	Components	Carbon steel	Stainless steel	SuperDuplex
1	Nozzle	AISI-316L	AISI-316L	1.4410
2	Body	A216 WCB	A351 CF3M	A890 Gr5A
3	Bonnet	A216 WCB	A351 CF3M	A890 Gr5A
4	Cap	A351 CF8	A351 CF8	1.4410
5 ^{SP}	Disc	AISI-316L	AISI-316L	1.4410
6	Guide	AISI-316L	AISI-316L	1.4410
7	Push Rod	AISI-316L	AISI-316L	AISI-316L+PTFE
8	Spring Button	AISI-303	AISI-303	AISI-303+PTFE
9	Ajusting Screw	AISI-420	AISI-303	AISI-303+PTFE
10	Tensor Nut	AISI-303	AISI-303	AISI-303+PTFE
11 ^{SP}	Spring	1.8159 C. S.	AISI-302	AISI-302+PTFE
12	Lever	A351 CF8	A351 CF8	A351 CF8+PTFE
17	Release nut	AISI-304	AISI-304	AISI-304+PTFE
18 ^{SP}	Lever axis	AISI-303	AISI-303	AISI-303+PTFE
19	Packing lever axis	AISI-303	AISI-303	AISI-303+PTFE
20 ^{SP}	Gasket cap	PTFE	PTFE	PTFE
21 ^{SP}	Gasket	Graphite + S.S.	Graphite + S.S.	Graphite + S.S.
22 ^{SP}	Gasket pack. lever	Viton	Viton	Viton
27 ^{SP}	Bellows	AISI-316 TI	AISI-316 TI	AISI-316 TI
28 ^{SP}	Soft seat	Viton / PTFE	Viton / PTFE	Viton / PTFE

^{SP} Recommended spare parts



OPTIONS

Lifting device
 Sealed packing lever
 Open bonnet
 Soft seat, viton, PTFE.
 Bellows AISI 316TI, Inconel.
 PTFE powder coating for highly corrosive or ultrapure chemicals

Model 1415

DIMENSIONS

Letter	Orif. (mm)	Area (mm ²)	ANSI 150				ANSI 300				ANSI 600				
			A (mm)	B (mm)	C (mm)	Weight (kg)	A (mm)	B (mm)	C (mm)	Weight (kg)	A (mm)	B (mm)	C (mm)	Weight (kg)	
D/E	1/2" D / E 1"	9,5/13	71/133	95	95	275	10	95	95	275	10	95	100	275	11
	3/4" D / E 1"	9,5/13	71/133	95	95	275	10	95	95	275	10	95	100	275	11
	1" D / E 1"	9,5/13	71/133	95	95	275	10	95	95	275	10	95	100	275	11
	1" D / E 2"	9,5/13	71/133	114	105	275	14	114	105	275	16	114	105	275	18
F	1 1/2" F 2"	16	201	121	124	315	17	121	124	315	17	152	124	315	20
	1 1/2" F 2" 300L	16	201	•	•	•	•	152	124	315	17	•	•	•	•
G	1 1/2" G 3"	21	346	121	124	400	26	121	124	400	26	152	124	400	28
	1 1/2" G 3" 300L	21	346	•	•	•	•	152	124	400	26	•	•	•	•
H	1 1/2" H 3"	26	531	124	130	400	26	124	130	400	26	•	•	•	•
	2" H 3"	26	531	•	•	•	•	124	130	400	27	162	154	400	32
J	2" J 3"	32,5	830	124	137	400	28	124	137	400	29	•	•	•	•
	3" J 4"	32,5	830	•	•	•	•	181	184	595	56	181	184	595	62
K	3" K 4"	40	1.195	162	156	595	56	162	156	595	56	181	184	595	62
L	3" L 4"	49	1.886	165	156	595	56	165	156	595	56	•	•	•	•
	4" L 6"	49	1.886	•	•	•	•	181	179	630	56	203	179	630	90
M	4" M 6"	55	2.376	184	178	630	88	184	178	630	90	203	178	630	110
N	4" N 6"	60	2.827	210	197	630	88	210	197	630	90	222	197	630	110
P	4" P 6"	73	4.185	229	181	630	88	229	181	630	90	254	225	630	120
	4" P 6" 300L	73	4.185	•	•	•	•	254	181	630	90	•	•	•	•
Q	6" Q 8"	96	7.238	241	240	690	140	241	240	690	140	241	240	690	190
R	6" R 8"	115	10.387	241	240	690	140	241	240	690	140	•	•	•	•
	6" R 10"	115	10.387	•	•	•	•	267	240	795	198	267	240	795	198
T	8" T 10"	147	16.972	279	276	800	210	279	276	800	220	•	•	•	•

Letter	Orif. (mm)	Area (mm ²)	ANSI 900				ANSI 1500				ANSI 2500				Weight
			A (mm)	B (mm)	C (mm)	Weight (kg)	A (mm)	B (mm)	C (mm)	Weight (kg)	A (mm)	B (mm)	C (mm)	Weight (kg)	
D/E	1 1/2" D 2"	9,5/13	71/133	140	105	315	19	140	105	315	24	•	•	•	•
	1 1/2" D 3"	9,5/13	71/133	•	•	•	•	•	•	•	•	178	140	325	30
F	1 1/2" F 3"	16	201	165	124	315	22	165	124	315	22	178	140	325	30
G	1 1/2" G 3"	21	346	165	124	430	28	•	•	•	•	•	•	•	•
	2" G 3"	21	346	•	•	•	•	175	156	444	41	175	156	444	50
H	2" H 3"	26	531	162	154	400	32	162	154	430	45	•	•	•	•
J	3" J 4"	32,5	830	181	184	595	70	181	184	595	65	•	•	•	•
K	3" K 6"	40	1.195	216	198	610	90	216	198	610	105	•	•	•	•
L	4" L 6"	49	1.886	222	197	820	140	222	197	820	120	•	•	•	•
M	4" M 6"	55	2.376	222	197	690	140	•	•	•	•	•	•	•	•
N	4" N 6"	60	2.827	222	197	820	140	•	•	•	•	•	•	•	•
P	4" P 6"	73	4.185	254	225	630	140	•	•	•	•	•	•	•	•

Model 1415 BIG

DESCRIPTION

Safety and relief valve, angle type, conventional
 According ASME VIII
 Direct spring loaded
 Full lift safety valve
 A 216 WCB, Stainless steel A351 CF3M.
 A217 WC6, LCC, SUPERDUPLEX (on request)
 Steam, gases, cryogenic fluids, H2, vapours and liquids
 Cleaned and degreased for oxigen service
 Flanged ASME/ANSI B16.5 ANSI150 / ANSI300
 Seat metal- metal, hardness seat, Viton and PTFE
 Set pressure range 0,2 (with bellows 2 barg) to 20 barg
 Tolerance Set pressure $\pm 3\%$
 Overpressure 10%
 European Pressure Equipment Directive PED 2014/68/EU
 CE 0056 Module B
 CE Production Quality Assurance (Module D) ES037955- 1035
 Material test certificate EN 10204 3.1

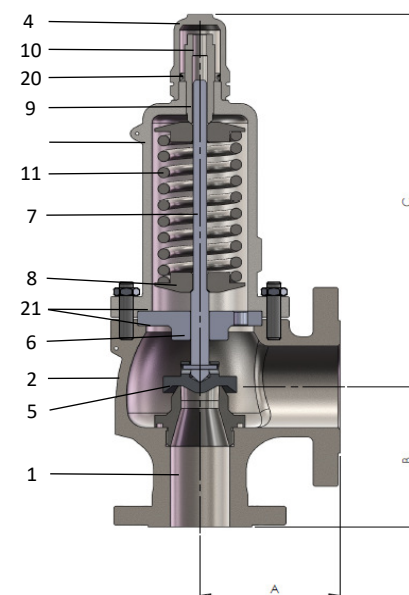
TOSACA, MADE IN SPAIN



MATERIALS

Item	Components	Carbon steel	Stainless steel	SuperDuplex
1	Nozzle	AISI-316L	AISI-316L	1.4410
2	Body	A216 WCB	A351 CF3M	A890 Gr5A
3	Bonnet	A216 WCB	A351 CF3M	A890 Gr5A
4	Cap	A351 CF8	A351 CF8	1.4410
5 ^{SP}	Disc	AISI-316L	AISI-316L	1.4410
6	Guide	AISI-316L	AISI-316L	1.4410
7	Push Rod	AISI-316L	AISI-316L	AISI-316L+PTFE
8	Spring Button	AISI-303	AISI-303	AISI-303+PTFE
9	Ajusting Screw	AISI-420	AISI-303	AISI-303+PTFE
10	Tensor Nut	AISI-303	AISI-303	AISI-303+PTFE
11 ^{SP}	Spring	Alloy steel	AISI-302	AISI-302+PTFE
12	Lever	A351 CF8	A351 CF8	A351 CF8+PTFE
17	Release nut	AISI-304	AISI-304	AISI-304+PTFE
18 ^{SP}	Lever axis	AISI-303	AISI-303	AISI-303+PTFE
19	Packing lever axis	AISI-303	AISI-303	AISI-303+PTFE
20 ^{SP}	Gasket cap	PTFE	PTFE	PTFE
21 ^{SP}	Gasket	Graphite + S.S.	Graphite + S.S.	Graphite + S.S.
22 ^{SP}	Gasket pack. lever	Viton	Viton	Viton
27 ^{SP}	Bellows	AISI-316 TI	AISI-316 TI	AISI-316 TI
28 ^{SP}	Soft seat	Viton / PTFE	Viton / PTFE	Viton / PTFE

^{SP} Recommended spare parts



OPTIONS

Lifting device
 Sealed packing lever
 Open bonnet
 Soft seat, viton, PTFE.
 Bellows AISI 316TI, Inconel.
 PTFE powder coating for highly corrosive or ultrapure chemicals

Model 1415 BIG

DIMENSIONS

Letter	Orif. (mm)	Area (mm ²)	ANSI 150				ANSI 300				ANSI 600					
			A (mm)	B (mm)	C (mm)	Weight (kg)	A (mm)	B (mm)	C (mm)	Weight (kg)	A (mm)	B (mm)	C (mm)	Weight (kg)		
V	10"	V 14"	200	31.415	406	305	1.390	750	406	305	1.390	780	•	•	•	•
W	12"	W 16"	228	40.828	406	359	1.432	800	406	359	1.432	850	•	•	•	•

