

Model 1400

DESCRIPTION

Safety and relief valve, angle type, conventional
 Direct spring loaded
 Full lift safety valve
 Carbon steel, Stainless steel.
 LCC and SuperDuplex (on request).
 Steam, gases, cryogenic fluids, H2, vapours and liquids
 Cleaned and degreased for oxygen service
 Flanged EN 1092 PN-16 / 25 / 40 / 63 / 100
 Seat metal- metal, Stellite, Viton and PTFE
 Set pressure range 0,2 (with bellows 2 barg) to 100 barg
 Tolerance Set pressure $\pm 3\%$
 Overpressure 10%
 European Pressure Equipment Directive PED 2014/68/EU
 CE 0056 Module B
 CE Production Quality Assurance (Module D) ES037955- 1035
 Material test certificate EN 10204 3.1

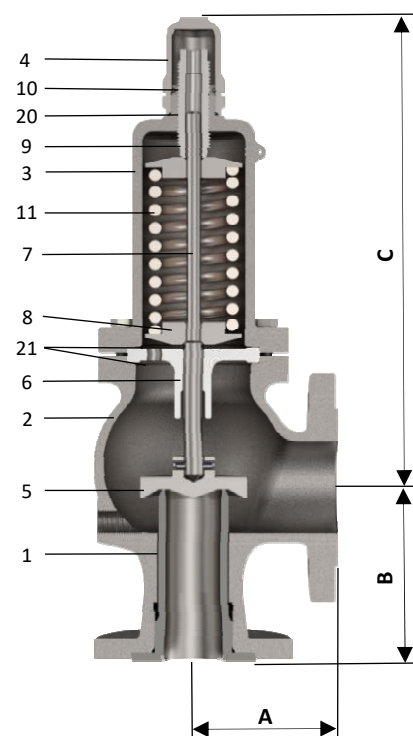
TOSACA, MADE IN SPAIN



MATERIALS

Item	Components	Carbon steel	Stainless steel	Super Duplex
1	Nozzle	A351 CF-8	A351 CF-8	1.4410
2	Body	C.S. 1.0619	1.4409	A890 Gr5A / 1.4469
3	Bonnet	C.S. 1.0619	1.4409	A890 Gr5A / 1.4469
4	Cap	A351 CF-8	A351 CF-8	1.4410
5 ^{SP}	Disc	AISI-316L	AISI-316L	1.4410
6	Guide	AISI-304	AISI-304	1.4410
7	Push Rod	AISI-316L	AISI-316L	1.4410
8	Spring Button	Carbon steel	AISI-303	1.4410
9	Ajusting Screw	AISI-303	AISI-303	1.4410
10	Tensor Nut	AISI-303	AISI-303	1.4410
11 ^{SP}	Spring	1.8159 C. steel	AISI-302	INCONEL X750
12	Lever	A 351 CF 8	A351 CF-8	A351 CF-8+PTFE
17	Release nut	AISI-304	AISI-304	AISI-304+PTFE
18 ^{SP}	Lever axis	AISI-303	AISI-303	AISI-303+PTFE
19	Packing lever axis	AISI-303	AISI-303	AISI-303+PTFE
20 ^{SP}	Gasket cap	PTFE	PTFE	PTFE
21 ^{SP}	Gasket	GRAPHITE +S.S	GRAPHITE+SS	GRAPHITE+SS
22 ^{SP}	Gasket pack. lever	Viton	Viton	Viton
27 ^{SP}	Bellows	AISI-316 Ti	AISI-316 Ti	AISI-316 Ti
28 ^{SP}	Soft seat	Viton / PTFE	Viton / PTFE	Viton / PTFE

^{SP} Recommended spare parts



OPTIONS

Lifting device
 Sealed packing lever
 Open bonnet
 Soft seat, viton, PTFE.
 Bellows AISI 316TI, Inconel.
 ECTFE powder coating for highly corrosive or ultrapure chemicals

Model 1400

DIMENSIONS

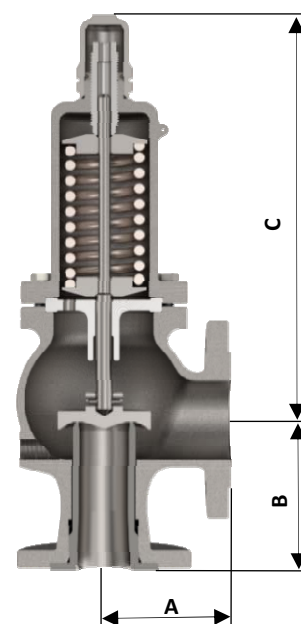
	Orif. (mm)	Area (mm ²)	PN 16				PN 25				PN 40			
			A (mm)	B (mm)	C (mm)	Weight (kg)	A (mm)	B (mm)	C (mm)	Weight (kg)	A (mm)	B (mm)	C (mm)	Weight (kg)
15 x 25	13	133	95	95	275	10	95	95	275	10	95	95	275	10
20 x 25	13	133	95	95	275	10	95	95	275	10	95	95	275	10
25 x 40	23,8	445	100	105	280	12	100	105	280	12	100	105	280	12
32 x 50	29,5	683	110	115	325	15	110	115	325	15	110	115	325	15
40 x 65	36	1018	115	140	325	19	115	140	325	19	115	140	325	19
50 x 80	46	1662	120	150	460	29	120	150	460	29	120	150	460	29
65 x 100	60	2827	140	170	460	36	140	170	460	36	140	170	460	36
80 x 125	72	4072	160	195	590	58	160	195	590	58	160	195	590	58
100 x 150	90	6362	180	220	630	85	180	220	630	85	180	220	630	85
125 x 200	105	8659	200	250	690	140	200	250	690	140	200	250	690	140
150 x 200	125	12.272	•	•	•	•	•	•	•	•	241	240	695	160
150 x 250	125	12.272	225	285	715	150	225	285	715	150	•	•	•	•
200 x 250	153	18.385	•	•	•	•	•	•	•	•	279	276	815	195
200 x 300	153	18.385	300	290	815	200	•	•	•	•	•	•	•	•

PN 63

	Orif. (mm)	Area (mm ²)	A (mm)	B (mm)	C (mm)	Weight (kg)
15 x 25	9,5 / 13	71/133	95	95	275	11
20 x 25	9,5 / 13	71/133	95	95	275	11
25 x 50	20	314	140	95	315	25
32 x 50	23,8	445	140	95	315	30
40 x 65	26	531	165	124	430	30
50 x 80	32	804	162	154	400	35
65 x 100	48	1.809	140	170	460	66

PN 100

	Orif. (mm)	Area (mm ²)	A (mm)	B (mm)	C (mm)	Weight (kg)
15 x 25	9,5 / 13	71/133	95	95	275	11
20 x 25	9,5 / 13	71/133	95	95	275	11
25 x 50	16	201	140	95	315	25
32 x 50	20	314	140	95	315	30
40 x 65	23,8	445	165	124	430	30
50 x 80	32	804	162	154	400	35
65 x 100	39	1.194	140	170	460	66



Model 1400 BIG

DESCRIPTION

Safety and relief valve, angle type, conventional
 Direct spring loaded
 Full lift safety valve
 Carbon steel, Stainless steel, LCC and SuperDuplex (on request).
 Steam, gases, cryogenic fluids, H₂, vapours and liquids
 Cleaned and degreased for oxygen service
 Flanged EN 1092 PN-16
 Seat metal- metal, Stellite, Viton and PTFE
 Set pressure range 0,2 (with bellows 2 barg) to 16 barg
 Tolerance Set pressure $\pm 3\%$
 Overpressure 10%
 European Pressure Equipment Directive PED 2014/68/EU
 CE 0056 Module B
 CE Production Quality Assurance (Module D) ES037955- 1035
 Material test certificate EN 10204 3.1

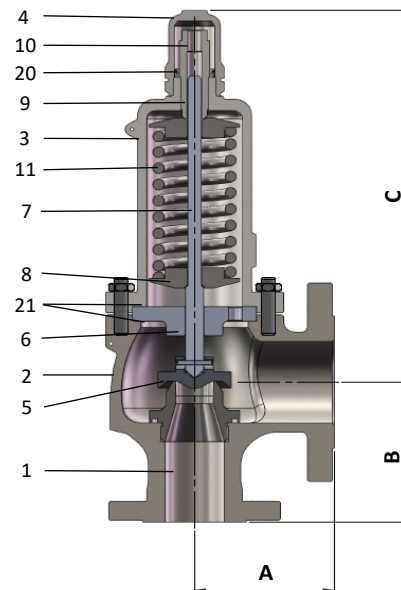
TOSACA, MADE IN SPAIN



MATERIALS

Item	Components	Carbon steel	Stainless steel
1	Nozzle	A351 CF-8	A351 CF-8
2	Body	C.S. 1.0619	1.4409
3	Bonnet	C.S. 1.0619	1.4409
4	Cap	A351 CF-8	A351 CF-8
5 ^{sp}	Disc	AISI-316L	AISI-316L
6	Guide	AISI-304	AISI-304
7	Push Rod	AISI-316L	AISI-316L
8	Spring Button	Carbon steel	AISI-303
9	Ajusting Screw	AISI-303	AISI-303
10	Tensor Nut	AISI-303	AISI-303
11 ^{sp}	Spring	1.8159 C. steel	AISI-302
12	Lever	A 351 CF 8	A351 CF-8
17	Release nut	AISI-304	AISI-304
18 ^{sp}	Lever axis	AISI-303	AISI-303
19	Packing lever axis	AISI-303	AISI-303
20 ^{sp}	Gasket cap	PTFE	PTFE
21 ^{sp}	Gasket	GRAPHITE +S.S	GRAPHITE+SS
22 ^{sp}	Gasket pack. lever	Viton	Viton
27 ^{sp}	Bellows	AISI-316 Ti	AISI-316 Ti
28 ^{sp}	Soft seat	Viton / PTFE	Viton / PTFE

^{sp} Recommended spare parts



OPTIONS

Lifting device
 Sealed packing lever
 Open bonnet
 Soft seat, viton, PTFE.
 Bellows AISI 316Ti, Inconel.
 ECTFE powder coating for highly corrosive or ultrapure chemicals

Model 1400 BIG

DIMENSIONS

	Orif. (mm)	Area (mm ²)	PN 16				PN 25				PN 40			
			A (mm)	B (mm)	C (mm)	Weight (kg)	A (mm)	B (mm)	C (mm)	Weight (kg)	A (mm)	B (mm)	C (mm)	Weight (kg)
250 x 350	200	31.415	406	305	1.390	750	•	•	•	•	•	•	•	•
300 x 400	228	40.828	406	359	1.432	850	•	•	•	•	•	•	•	•
400 x 500	304	72.950	533	432	1.943	900	•	•	•	•	•	•	•	•

