

Model 1216 C Clamp

Description

Type	Safety and Relief valve		
Connections	Clamp-Clamp or Clamp-BSP	PN-10	
Material	Stainless steel 316 L Temperature range -30°C to +350°C Cryogenic service until -196°C		

Technical information

Applications	Steam, gases, vapours and liquids		
Min. Set pressure	0,2 barg		
Overpressure	10%		
Blowdown	Gases 10%, liquids 20%		
Tolerance Set pressure	± 3%		

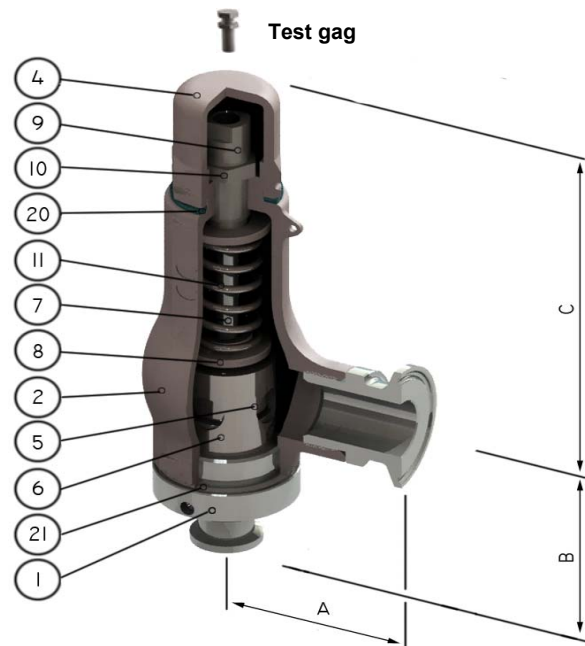
Requirements

Calculation	EN-4126-1 / 7 ISO-2852		
Design	EN-12516-1, EN-4126-1 / 7 DIN 259 and ANSI B2.1		
Materials	EN		
Inspection	EN-4126-1 / 7		

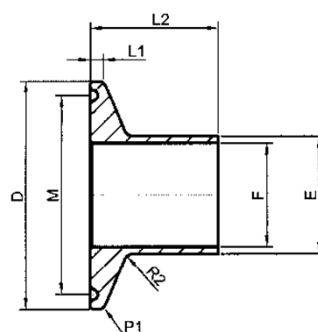
Construction and materials

Item	Description	Material	
		Standard	Cryogenic
1	Nozzle	AISI-316L	AISI-316L
2	Body	A351 CF-3M	A351 CF-3M
4	Cap	A351 CF-8	A351 CF-8
5	Disc	AISI-316L	AISI-316L
6	Guide	AISI-316L	AISI-316L
7	Push Rod	AISI-316L	AISI-316L
8	Spring Button	AISI-303	AISI-303
9	Ajusting Screw	AISI-303	AISI-303
10	Tensor Nut	AISI-303	AISI-303
11	Spring	AISI-302	INCONEL X 750
12	Lever	A351 CF-8	A351 CF-8
17	Release nut	AISI-304	AISI-304
18	Lever axis	AISI-303	AISI-303
19	Packing lever axis	AISI-303	AISI-303
20	Gasket cap	PTFE	PTFE
21	Gasket	PTFE	PTFE
22	Gasket pack. lever	Viton	Viton
28	Soft seat	Viton / PTFE	Metal

 Recommended spare parts



Options



Dimensions

Connections	Orifice	Area (mm ²)	A (mm)	B (mm)	C (mm)	Weight (kg)	Clamp dimensions ISO 2852					
							D (mm)	M (mm)	E (mm)	L1 (mm)	L2 (mm)	
15 x 25	Clamp- Clamp	9,5	71	73	65	155	2,4	25	19	12,7	2,85	12,7
20 x 25	Clamp- Clamp	15	176,6	73	65	155	2,4	25	19	19	2,85	12,7
25 x 25	Clamp- Clamp	18	254	73	67	155	2,8	50,5	43,5	25,6	2,85	21,5
40 x 40	Clamp- Clamp	32	804	90	98	234	8,2	50,5	43,5	40	2,85	21,5
15 x 1"	Clamp- BSP	9,5	71	45	65	155	2	25	19	12,7	2,85	12,7
20 x 1"	Clamp- BSP	15	176,6	45	65	155	2	25	19	19	2,85	12,7
25 x 1"	Clamp- BSP	18	254	45	67	155	2,2	50,5	43,5	25,6	2,85	21,5
40 x 2"	Clamp- BSP	32	804	62	98	234	8,2	50,5	43,5	40	2,85	21,5